



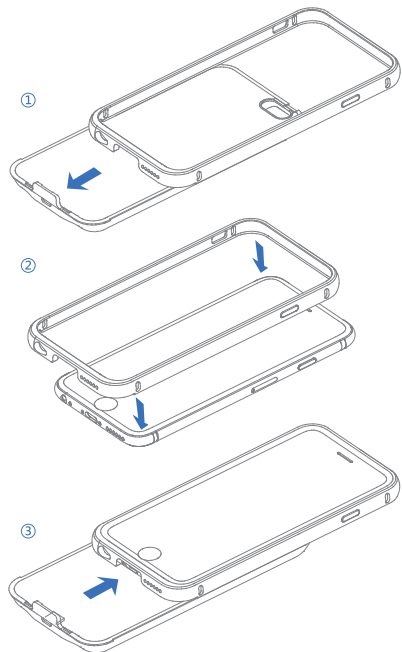
Long press: Activate APP
Double-click: start charging
Double-click: stop charging



Power Indicator Light
↑ ↑ ↑ ↑
25% 50% 75% 100%

USB Interface

Installation and Disassembly



① Remove the border

Push out the metal border from the product, make both parts separate completely.

② Install the phone

Install the phone into metal border, make both parts fitting perfectly.

③ Install the border

Align the product top to the metal border's slot, slide the border to the bottom, it shows the fitting is good if the phone's charging port plugged in by the charging end of the case.

Install APP

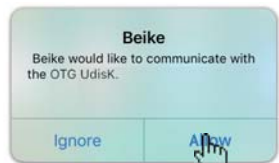
The first time we put the phone into the Beike, the system will pop up the dialog box to install APP, click the "App Store" button, automatic search APP to download and install.



Note: If you miss the prompt, go to the AppStore search for "beike" Download and install App.



After installed, long press the product's back button to open the APP startup dialog box, choose "Allow" Open the Beike Experience Tour.



Note: Directly click the APP icon on the desktop and then long press the product's back button. Use Beike OTG function.

Charging

When charging by Micro USB cable, the battery case LED light status and battery percent correspondingly showing as below:

Capacity	LED1	LED2	LED3	LED4
0-25%	flash	off	off	off
25-50%	on	flash	off	off
50-75%	on	on	flash	off
75-99%	on	on	on	flash
Fully charged	on	on	on	on

Discharge

When battery case charge the phone, the battery case LED light status and battery percent correspondingly showing as below:

Capacity	LED1	LED2	LED3	LED4
Low power	flash	flash	flash	flash
0-25%	on	off	off	off
25-50%	on	on	off	off
50-75%	on	on	on	off
75-99%	on	on	on	on

Features:

Safety: This product designed with protection of over-charging, over-discharging and short circuit, That provide safety for users and their mobile phone.

High efficiency: Charging current is 5V/1A, same as iPhone original charging cable, transfer efficiency ≥ 72%.

Quality: High quality battery cell and reliable supplier, high quality chipset of charging and dis-charging.

Safety rules

1. For the first time use, please charge the product fully,
 2. This product contains lithium-ion batteries, it's strictly prohibited to any dismantling, extrusion, puncture and short circuit this product.
- To avoid possible damage to the batteries or other hazards, these are not included in the warranty;
3. Please put the product away from liquid and humid environment, otherwise it will cause serious damage to the product.
 4. Do not place the product in an environment where the temperature is too low or too high (below -20 °C or above 50 °C);

Please don't use this product outdoors in a thunderstorm weather. Thunderstorms could cause products to malfunction and increase the risk of electric shock.

Specification

Battery Type: Lithium polymer battery Battery capacity: 5000mAh 3.8V(19Wh)
Dimension: 71×143×17mm Weight: 125g
Output: DC 5V/1A Input: DC 5V/1A
Transfer efficiency: ≥ 72% Operating temperature : -20°C~50°C

Warranty Card

Warranty:

You could return or replace new product if the product have performance problems within 7th days from the date of purchase, and choose to replace new product or repair it if have problem within 8th to 15th from the date of purchase. Free repair it for you if have problem within 12 months.

Free services:

Please take with warranty card and purchase invoice, then contact distributor for free warranty if the product have quality problem within warranty period. Can't free repair as below:

1. No warranty card or the product out of warranty
2. Damage caused to disassembled by yourselves.
3. Failure caused to water, drops or artificial damage.
4. Failure or damage caused to force majeure.

Customers data:

Customer name	
Telephone Number	
Address	
Product name	
Product model	
Purchasing date	
Distributor	
Warranty date	

