



产品配色与工艺说明图

Product Colour, Material & Finishing Specifications

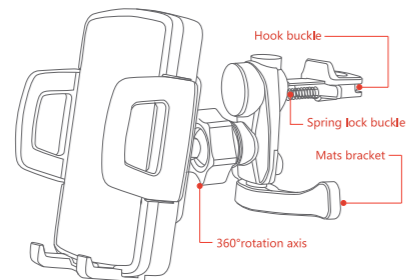
Product Model 产品型号	AZCH-F001	Brand 品牌	中性	Job No. 图档编码	
Product Type 产品类	无线充电器说明书	Description 描述	/	Revision 版本号	1.2
Dimension 尺寸	90*65mm	Original Designer 原设计师	谢娅婷	Date 日期	2016.8.19
Scale 比例	1:1	Technology 工艺	128g哑粉纸 双面四色印刷	Verifying 审核	/
备注	较1.1版本，更改英文单词“quick、Galaxy”				

Fast Wireless Car Charger User Manual

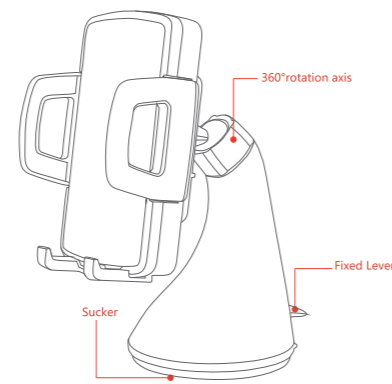
User Manual

Thanks for purchasing our product, this is a vehicle-mounted wireless charger for smart phones, It could be used as vehicle-mounted mobile bracket, meanwhile prolong the time of battery. Let you enjoy the great fun of digital products.

Please read this manual before using and keep it for future reference.



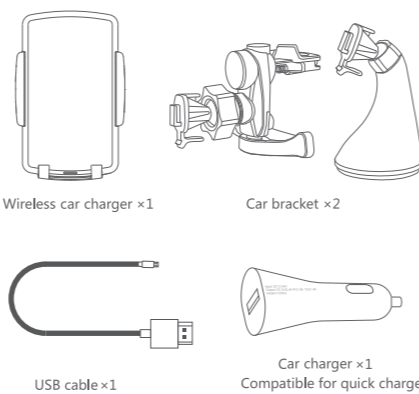
Integral sketch



Specification

Input: DC5V 2A DC9V 1.8A
Frenquency: 110-205KHz
Charging distance: ≤10mm
Conversion: ≥72%

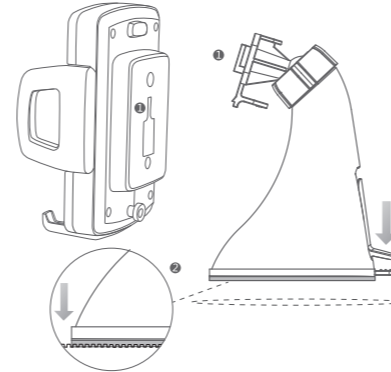
Package contents



Note: This product universally support two modes of wireless charging

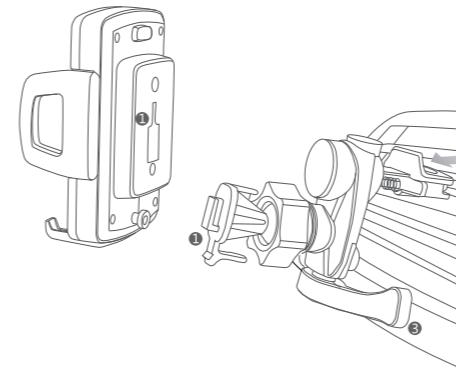
1. Fast Wireless Charging (output 10W)
It works with device which support fast wireless charging, such as Samsung Galaxy S6 Edge +, Galaxy Note5, Galaxy S7, Galaxy S7 Edge.
2. Standard Wireless Charging (output 5W)
It works with device which only support standard wireless charging, such as Samsung Galaxy S6, S6 Edge and iPhones with Qi receivers.

Installation of charger



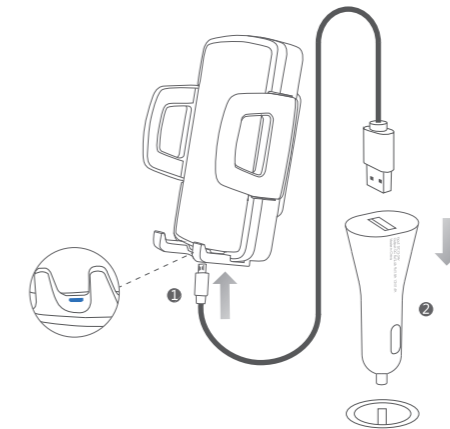
- ① Put the wireless charging transmitter's buckle on transmitter bracket's buckle and fixed it.
- ② To avoid the rough surface of dashboard reduce the stickness of suction mount, please install the holder on the horizontal dashboard and press the bottom of holder hard to make sure the PU sticker surface fit together tightly with dashboard.
- ③ Pinch fixed lever until it closed and check the fixed status.

Installation of charger



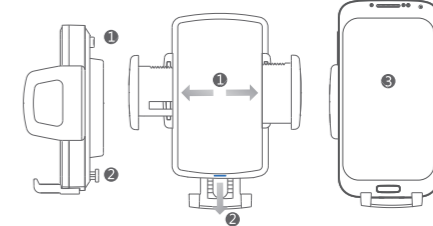
- ① Mount wireless charger onto the air vent mount by connecting the two brackets.
- ② Push the spring lock buckle forward, place and engage the hook buckle onto the fender of car's air condition vent.
- ③ Position mats bracket into the vent edge, affix, and adjust the mats bracket according to the vent area to secure the vent mount and wireless charger.

Connect the power supply wire



- ① Connect the Micro USB charging cable to wireless charger.
 - ② Insert the other end of USB cable to the USB port of the cigarette lighter socket. Insert the socket to vehicle's cigarette lighter port.
- *The LED status light on cigarette lighter charger will turn to green in standby mode indicating wireless charger device is properly connected to the power source.

Charging for mobile phones



- ① Press the button on the top of wireless charger to release the clamp of the phone holder.
- ② Press the button on bottom of wireless charger to release the clamp of bottom bracket.
- ③ Place the Qi-enable device in the cell phone holder and retract the elastic clamp until the phone is firmly fixed and secured. Blue LED light indicates charging.

Notes

1. Do not squeeze or collisions.
2. Do not disassemble or throw into fire or water, to avoid causing a short circuit leakage.
3. Do not use wireless charger in severely hot, humid or corrosive environments, to avoid circuit damage and occurs leakage phenomenon.
4. Do not place too close with magnetic stripe or chip card (ID card, bank cards, etc.) to avoid magnetic failure.
5. Please keep the distance at least 20cm between implantable medical devices (pacemakers, implantable cochlear, etc.) and the wireless charger, to avoid potential interference with the medical device.
6. To take care of the children, to ensure that they won't play the wireless charger as a toy, to avoid unnecessary accidents.